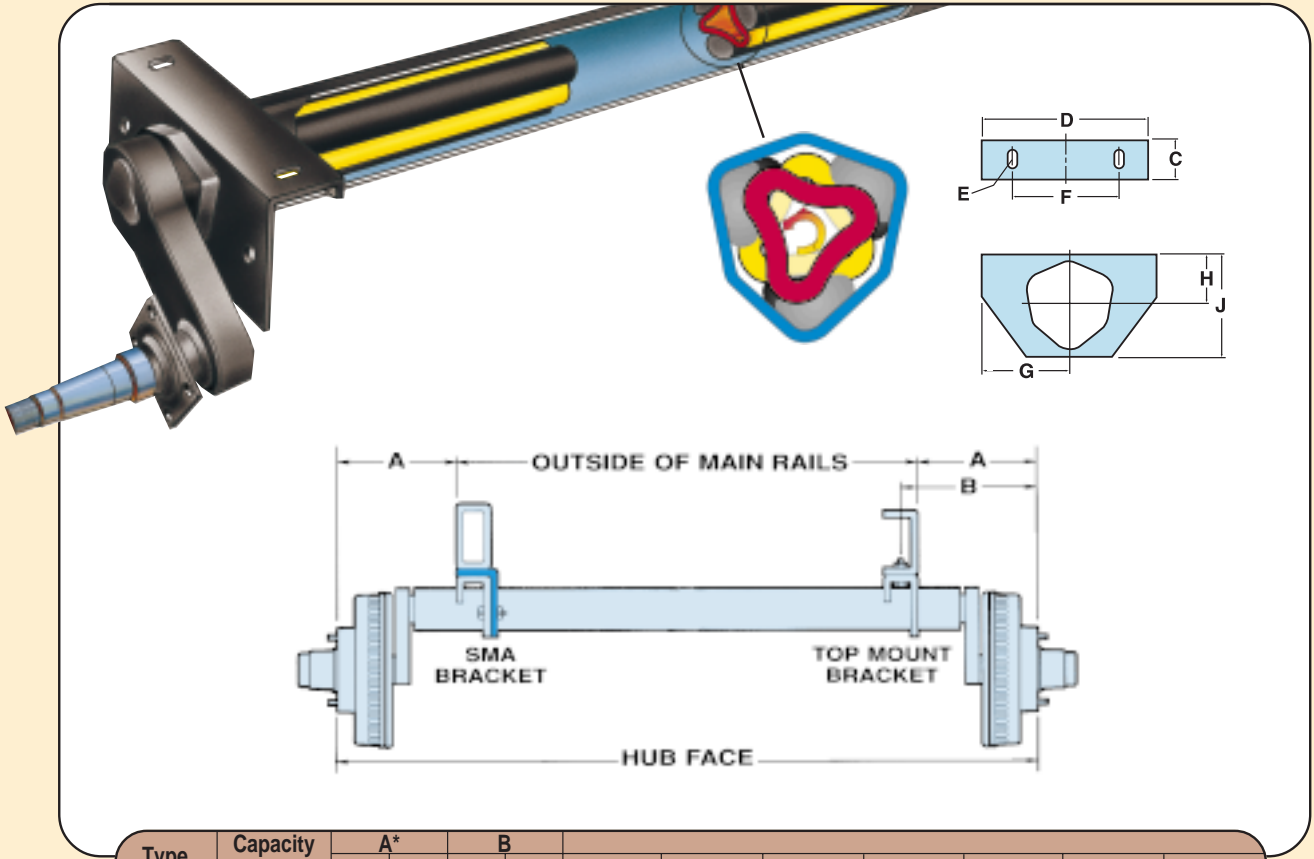


# ALKO 8000 LB Axle Assemblies



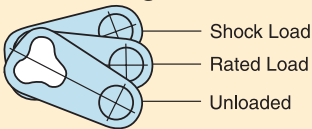
## H-80 – 8,000 Lbs. Capacity with 42 Spindle



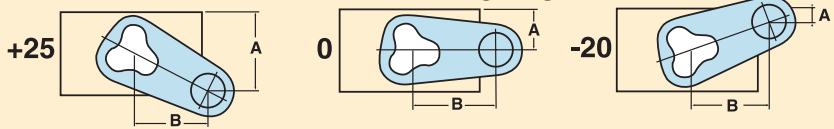
Type	Capacity Max	A*		B		C	D	E	F	G	H	J
		Min	Max	Min	Max							
H-80	8000	8.2	11.8	9.5	13.0	2.6	13.0	0.71	9.1	6.5	3.2	6.1

\* Add 1" to min. for side mount brackets turned outward.

### Total Swing Arm Travel



### Standard Starting Angles



H-80	Start Angle	A			B		
		Unloaded	Rated Load	Shock Load	Unloaded	Rated Load	Shock Load
	+ 25	5.7	3.2	1.6	5.4	6.0	5.7
0	3.2	0.8	(0.7)	6.0	5.5	4.6	
- 20	1.2	(0.9)	(2.2)	5.6	4.6	3.5	

Figures in ( ) indicate spindle center above top of bracket.

### ALKO KOBER CORPORATION

21611 Protecta Dr. Elkhart, IN 46516 219-294-6651 219-294-7267 Fax	301 N. Kennedy Shawnee, OK 74801 405-273-9315 405-273-1054 Fax	315 Road 911 Baldwyn, MS 38824 662-365-5566 662-365-9222 Fax
---	---	---